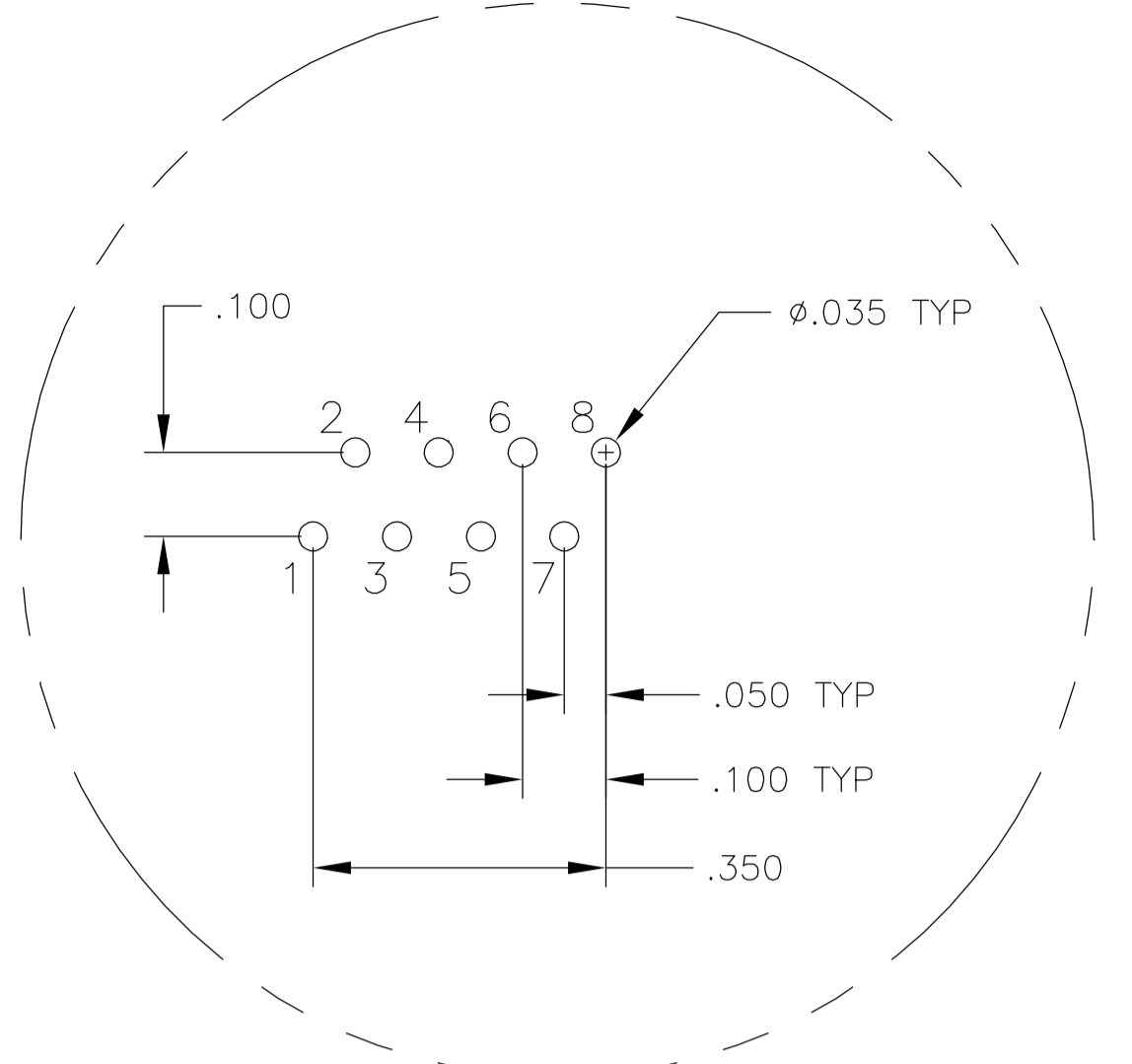
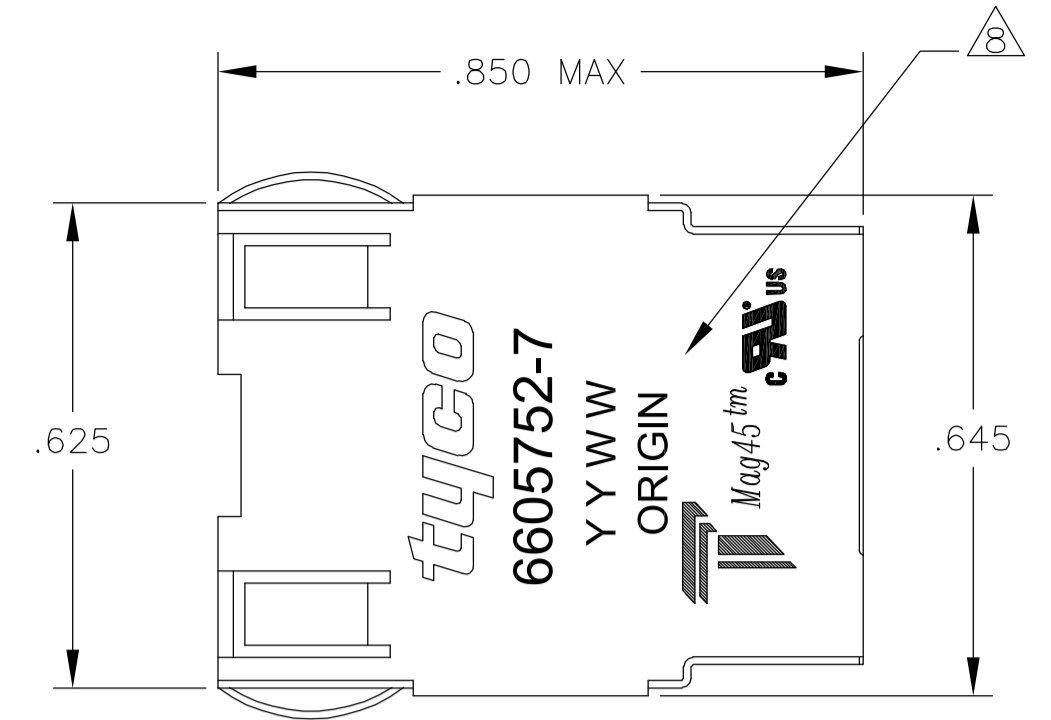
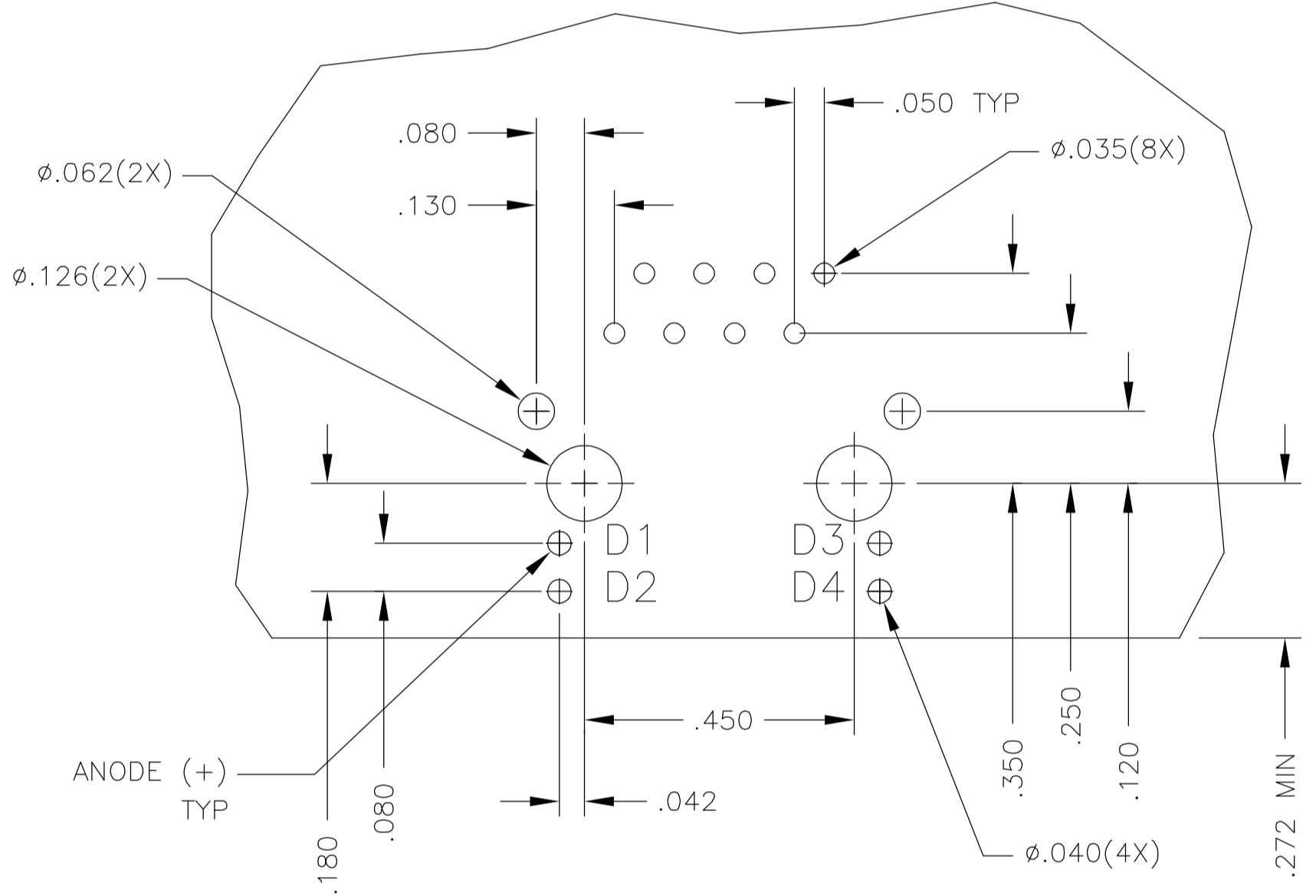
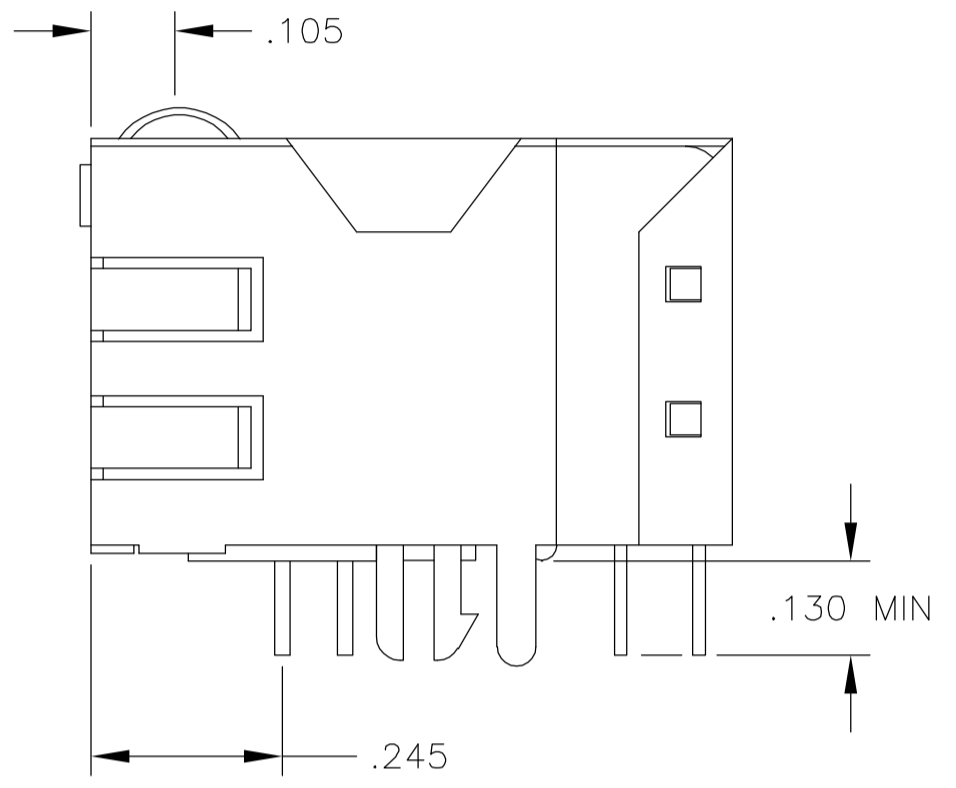


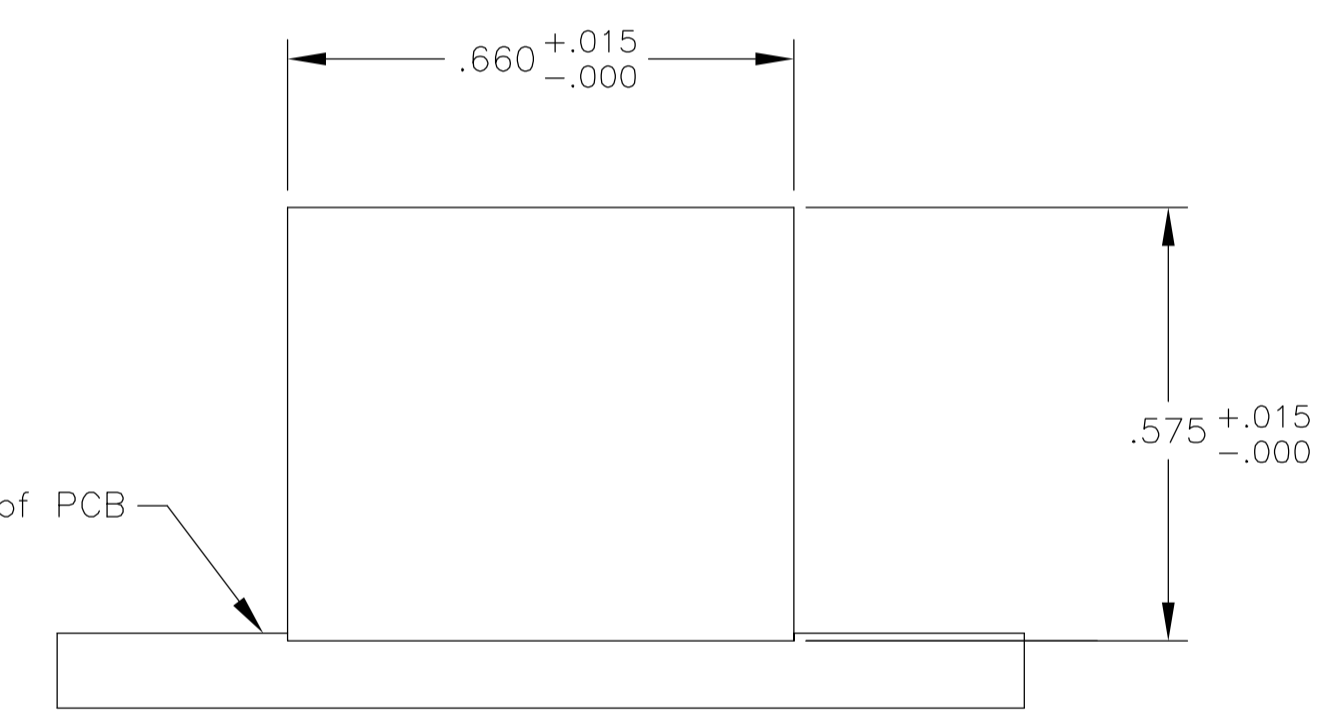
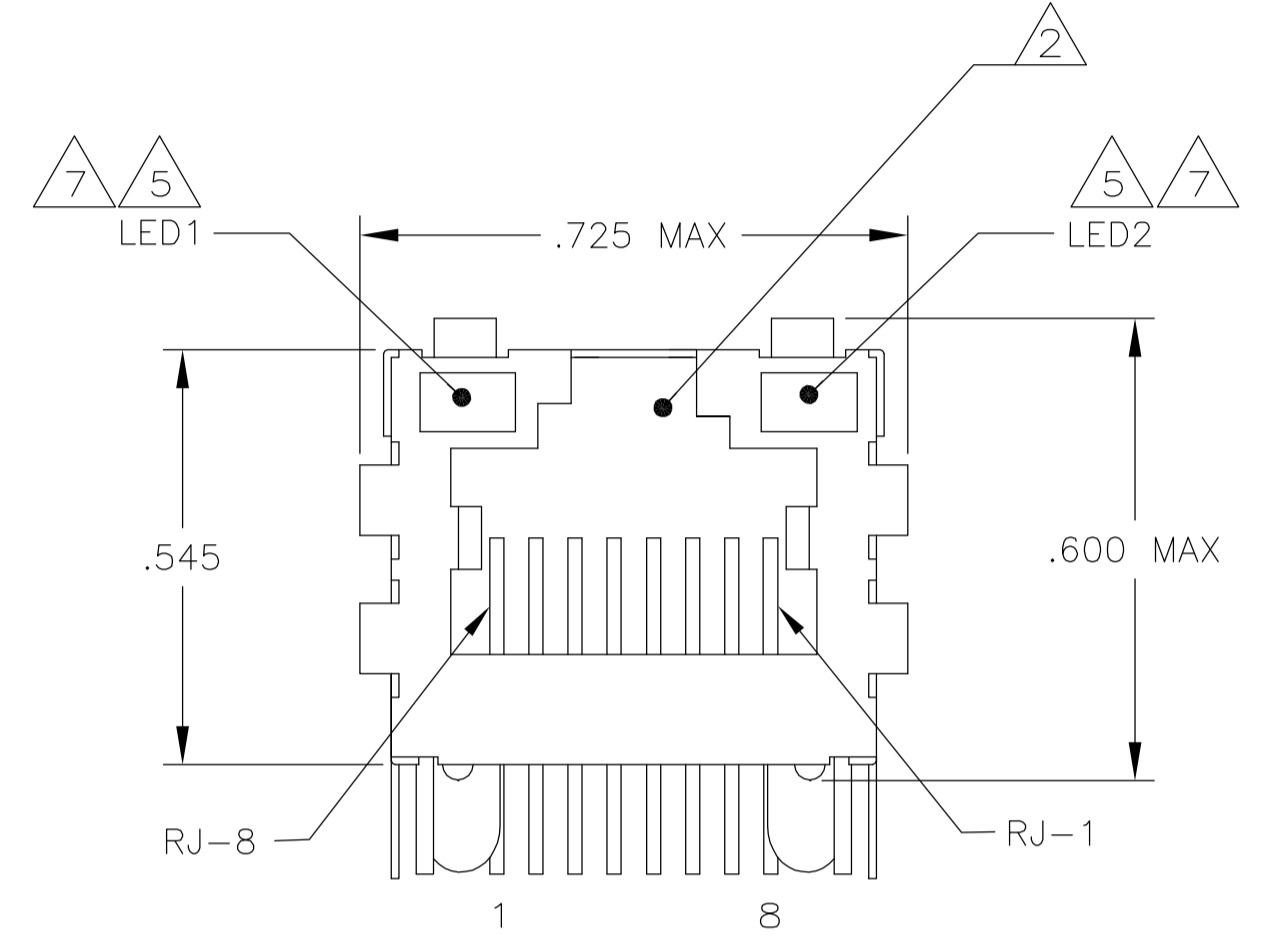
**MECHANICAL:**



**Pin Designations**

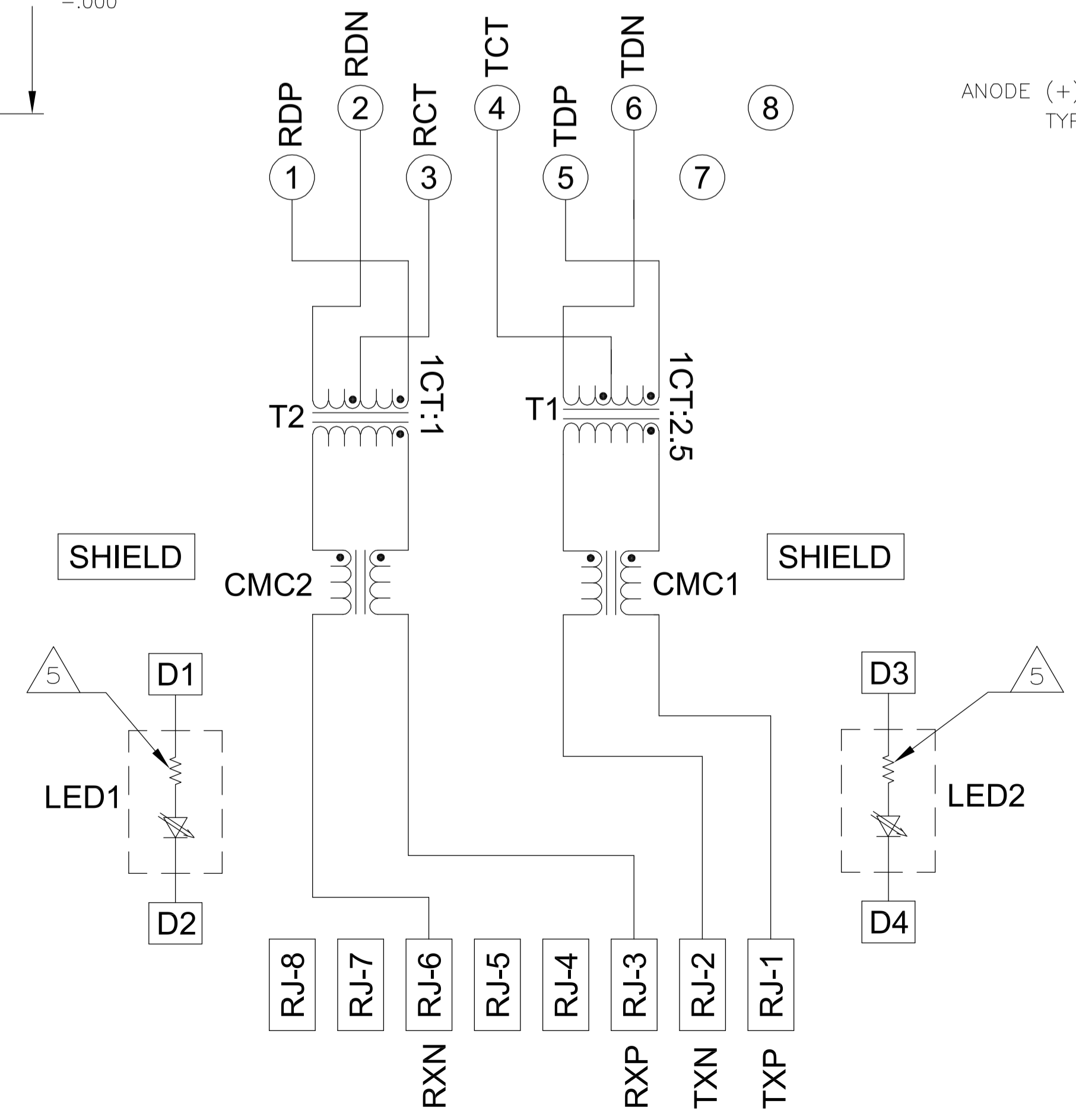


**Suggested PCB Layout (Component Side)**



**Suggested Panel Cutout**

**724 SERIES MAGNETIC CIRCUIT**



- MATERIALS:**
- HOUSING - THERMOPLASTIC PET POLYESTER FLAMMABILITY RATING UL 94 V-0.
  - SHIELD - .010" THICK, C26800 BRASS PREPLATED WITH 30μ INCH MIN SEMI-BRIGHT NICKEL, SOLDER TABS POST DIPPED WITH 100μ INCH MIN SAC SOLDER.
  - MOD JACK CONTACTS - 0.0157" x 0.018" PHOSPHOR BRONZE, 50μ INCH MIN OVERALL NICKEL UNDERPLATE, WITH SELECT 50μ INCH MIN HARD GOLD FINISH PLATE. SOLDER TAILS WITH 100μ INCH MIN MATTE TIN AND/OR SAC SOLDER DIP.
  - LIGHT EMITTING DIODE(LED) - DIFFUSED EPOXY LENS, .020" x .020" CARBON STEEL WIREFRAME LEADS PRE-PLATED WITH 80μ INCH SILVER OVER 40μ INCH NICKEL UNDERPLATE OVER 40μ INCH COPPER UNDERPLATE, POST-PLATED WITH 100μ INCH MIN MATTE TIN AND/OR SAC SOLDER DIP OR PURE TIN SOLDER DIP.
- RJ45 JACK CAVITY CONFORMS TO FCC RULES AND REGULATIONS PART 68, SUB PART F.**
- MAGNETICS**
- APPLICATION: 10 BASE-T
  - IMPEDANCE: 100 OHMS
  - TURNS RATIO (CHIP:CABLE): TX = 1:2.5 RX = 1:1
  - TRANSMIT OPEN CIRCUIT INDUCTANCE (OCL): 14.0μH MIN @ 100kHz, 0.1VRMS
  - LEAKAGE INDUCTANCE (LL): 0.30μH MAX @ 100kHz, 0.1VRMS
  - INTERWINDING CAPACITANCE (CwW): 15pF MAX @ 100kHz, 0.1VRMS
  - ISOLATION VOLTAGE: COMPLIES WITH IEEE802.3 2002, PARA 15.3.4, ITEM a or b.
- 4 OPERATING TEMPERATURE: FROM 0° TO +70°C.
- LED COMPLIANT WITH IEC60825-1 SAFETY OF LASER PRODUCTS. WHEN OPERATED UP TO 20 mA. THE 250 OHM RESISTOR IS INCLUDED IN THE LEDS ON 6605752-1 AND 1-6605752-1 ONLY.**
- INDICATED CONNECTIONS ARE FOR NIC CONFIGURATION
- LED PEAK WAVELENGTH: GREEN(λ) = 565nm  
YELLOW(λ) = 585nm
- TRADEMARK, PART NUMBER, DATE CODE, COUNTRY OF ORIGIN AND AGENCY APPROVAL MARKING IN APPROXIMATE LOCATION SHOWN.

GREEN	GREEN	1-6605752-1
GREEN	GREEN	6605752-7
GREEN	YELLOW	6605752-1
LED1	LED2	PART NUMBER

DIMENSIONS:		TOLERANCES UNLESS OTHERWISE SPECIFIED:		APVD		NAME	
INCHES		0 PLC	± -	DIN	L VARELA - DOCKS	28FEB2005	tyco
		1 PLC	± -	CHK	D FAROLE	28FEB2005	Electronics
		2 PLC	± .010				Tyco Electronics Corporation
		3 PLC	± .005				Harrisburg, PA 17105-3608
		4 PLC	± -				
		ANGLES	± -				
MATERIAL	FINISH	WEIGHT	SIZE	CAGE CODE	DRAWING NO	RESTRICTED TO	
			A1	00779	6605752		
		CUSTOMER DRAWING	SCALE	NTS	SHEET	1 OF 1	REV
							A